

SGIG-202201-01



**New Generation Floor /
Ceiling Mounted System**

Jumong General

10 Yangnyeong-ro, Moga-myeon, Icheon-si, Gyeonggi-do 17408 Korea
Copyright © SG HealthCare.Co.,Ltd. All Rights Reserved.

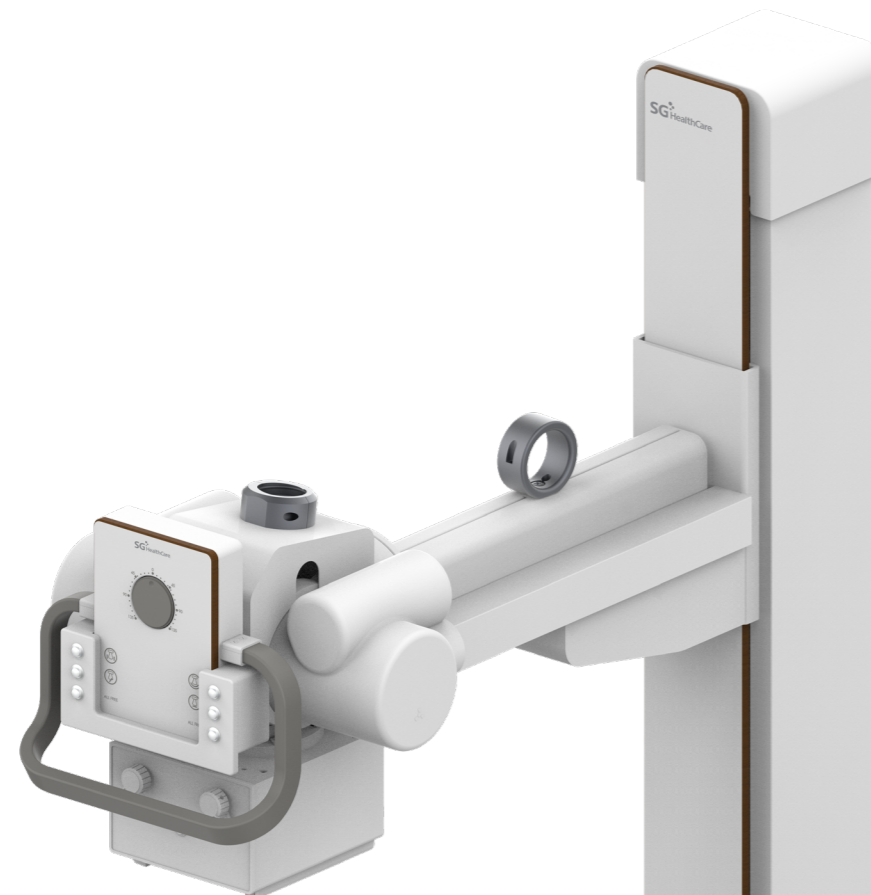
How to reach us

www.sghealthcare.com
sales@sghealthcare.com
Tel +82 (0)2 449 6908 / **Fax** +82 (0)2 449 6909



Simple Design
Easy to operate

Jumong General
X-ray system designed for stability and perfection



Jumong General is our renown product based on an easy-to-use console and innovative design. Make a rational choice and experience the difference.

Jumong General
For complete satisfaction

Jumong General is an X-ray equipment with differentiated design and performance.

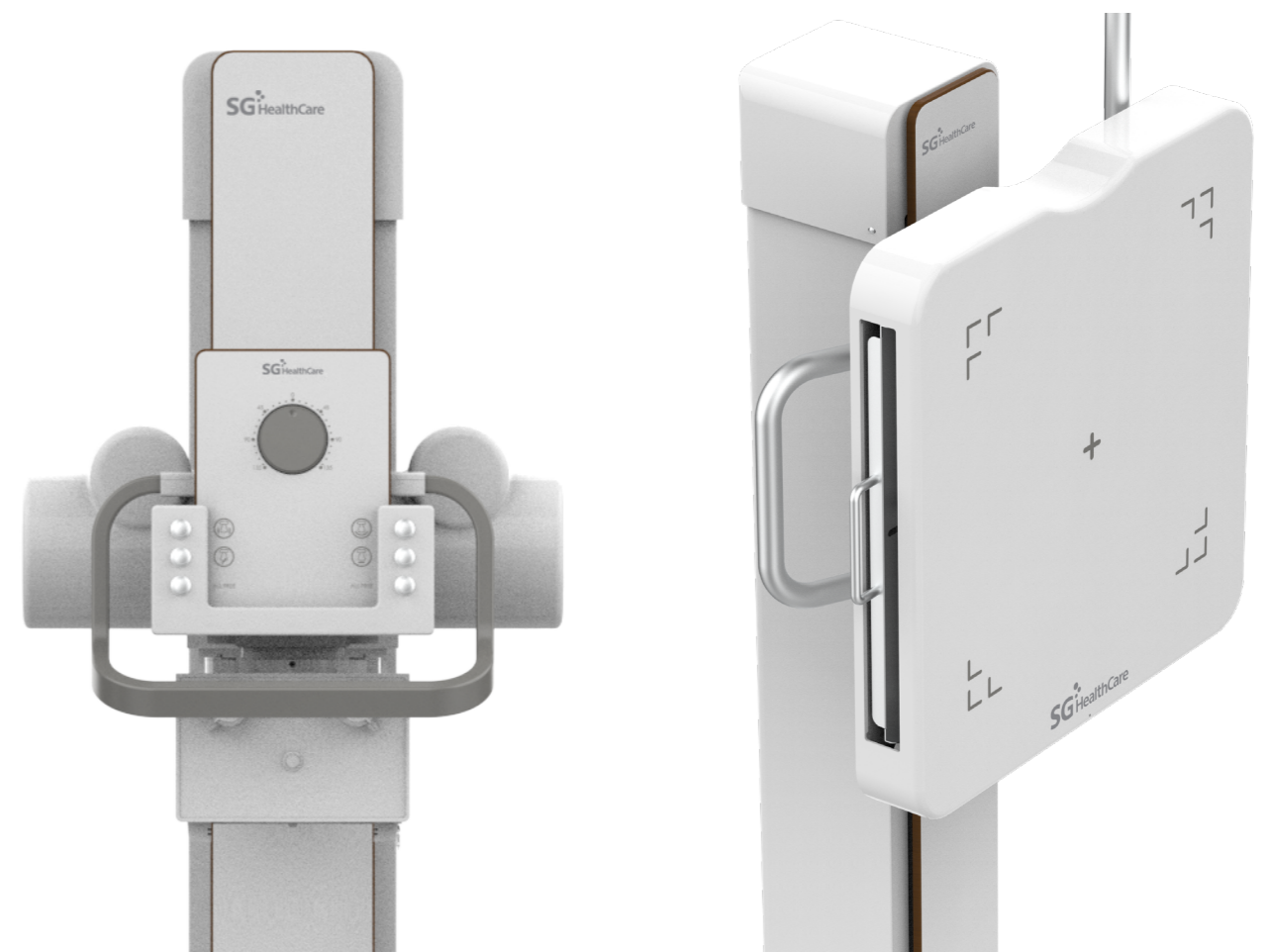
This is the most popular product in our company, it has easy operation, compact design and reasonable price. Experience the prominence with our Jumong General+.

Simple Operation

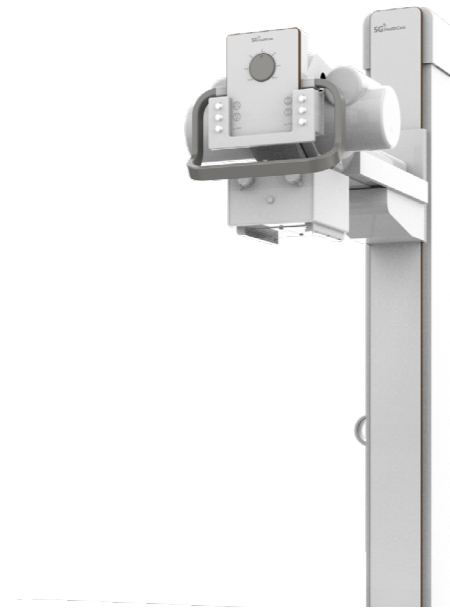
Experience the console buttons that are easy to use at a glance and have a clean design.

Compact design

Experience a 4-way table with rounded corners, an easy-to-operate console, and a neatly designed Bucky Stand.



Jumong General Floor Mounted

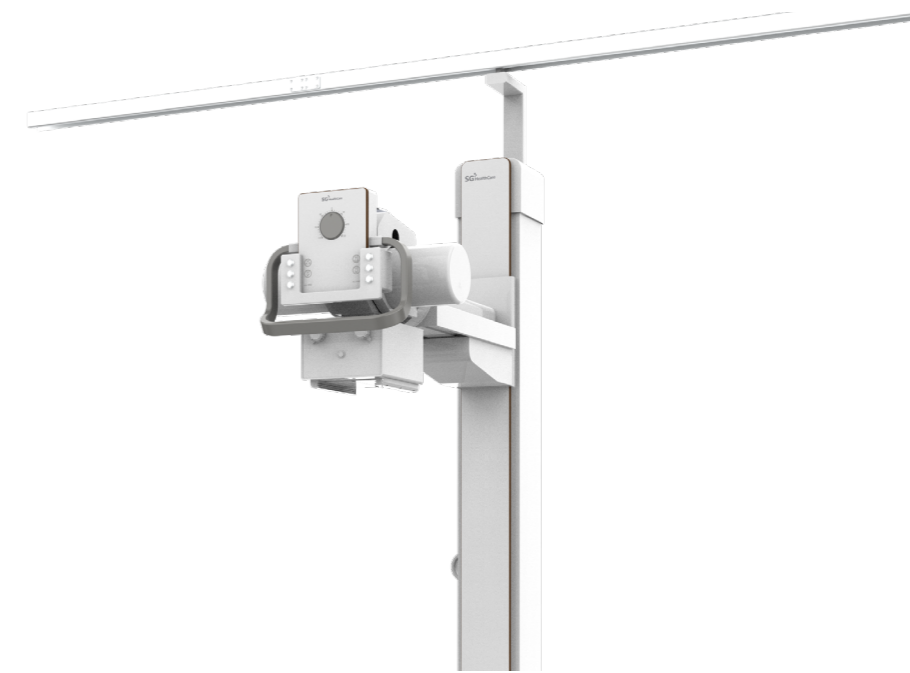


SYSTEM CONFIGURATION & SPECIFICATION

* All specifications are subject to change without prior notice

		40kw	50kw
Generator	Input Power	1Phase 230VAC 3Phase 230/380 - 277/480VAC	3Phase 230/380 - 277/480VAC
	kV Range	40 - 150kV	
	Output Frequency	600kHz+	
	mAs Range	0.1 - 630mAs	0.1 - 1250mAs
	Tube Current Range	10 - 500mA	10 - 630mA
	Exposure Time Range	1.0 - 10,000ms	
	Tube Calibration	Automatic	
	Anode Rotation Drive	Low / Dual speed Starter	
	Concole	Membrane	
Tube	Type	Rotating Anode Type	
	Focal Spot	1.0 - 2.0	0.6 - 1.2
	Operating Voltage	40 - 125kV	40 - 150kV
	Anode Heat Capacity	150kHu	300kHu
Collimator	Target Angle	16°	12°
	Power Supply	1Phase 24VAC 50/60Hz	
	Related Tube Voltage	125kVp	
	Filters	1.2mm Al	
GRID	Intensity of Illumination	LED over 160lux	
		103L 10:1 100/180cm	
HVC		10m	
		2250mm	
Tube Stand	Height	2250mm	
	Floor Rail Width	3090mm	
	Vertical Movement	400 - 1800mm	
	Horizontal Movement	2433mm	
	Tube Stand Rotation	±90°	
	Tube Rotation	±135°	
	Telescopic movement	230mm	
Wall Stand	Wall Stand Heights	2060mm	
	Vetical Movement	355 - 1700mm	
Table	Weight Capacity	300kg	
	Table Size	2000 x 800 x 670mm	
	Movement	Transverse : 250mm, Longitudinal : 720mm	
	Top Filtration	1.2mm	

Jumong General Ceiling Mounted



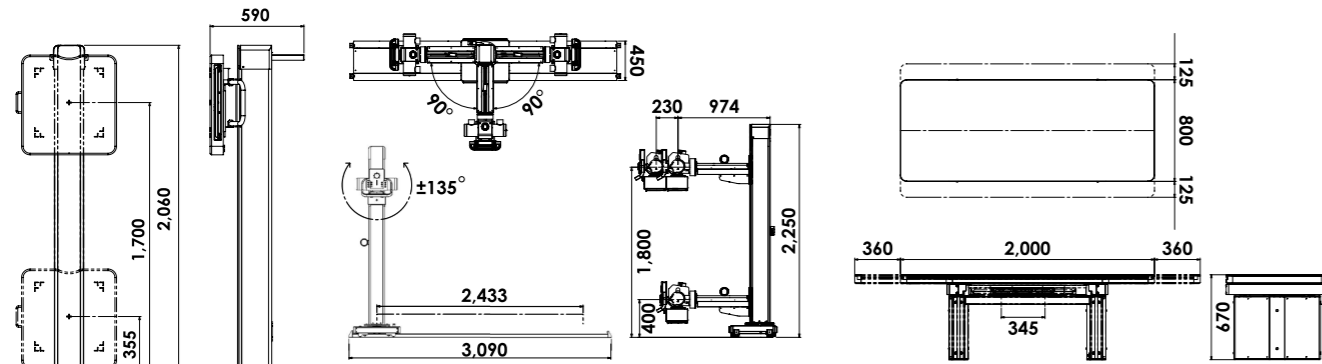
SYSTEM CONFIGURATION & SPECIFICATION

* All specifications are subject to change without prior notice

		40kw	50kw
Generator	Input Power	1Phase 230VAC 3Phase 230/380 - 277/480VAC	3Phase 230/380 - 277/480VAC
	kV Range	40 - 150kV	
	Output Frequency	600kHz+	
	mAs Range	0.1 - 630mAs	0.1 - 1250mAs
	Tube Current Range	10 - 500mA	10 - 630mA
	Exposure Time Range	1.0 - 10,000ms	
	Tube Calibration	Automatic	
	Anode Rotation Drive	Low / Dual speed Starter	
	Concole	Membrane	
Tube	Type	Rotating Anode Type	
	Focal Spot	1.0 - 2.0	0.6 - 1.2
	Operating Voltage	40 - 125kV	40 - 150kV
	Anode Heat Capacity	150kHu	300kHu
Collimator	Target Angle	16°	12°
	Power Supply	1Phase 24VAC 50/60Hz	
	Related Tube Voltage	125kVp	
	Filters	1.2mm Al	
GRID	Intensity of Illumination	LED over 160lux	
		103L 10:1 100/180cm	
HVC		10m	
		2330mm	
Tube Stand	Height	2330mm	
	Floor Rail Width	3086mm	
	Vertical Movement	400 - 1800mm	
	Horizontal Movement	2486mm	
	Tube Stand Rotation	±90°	
	Tube Rotation	±135°	
	Telescopic movement	230mm	
Wall Stand	Wall Stand Heights	2060mm	
	Vetical Movement	355 - 1700mm	
Table	Weight Capacity	300kg	
	Table Size	1800 x 800 x 670mm	
	Movement	Transverse : 250mm, Longitudinal : 520mm	
	Top Filtration	1.2mm	

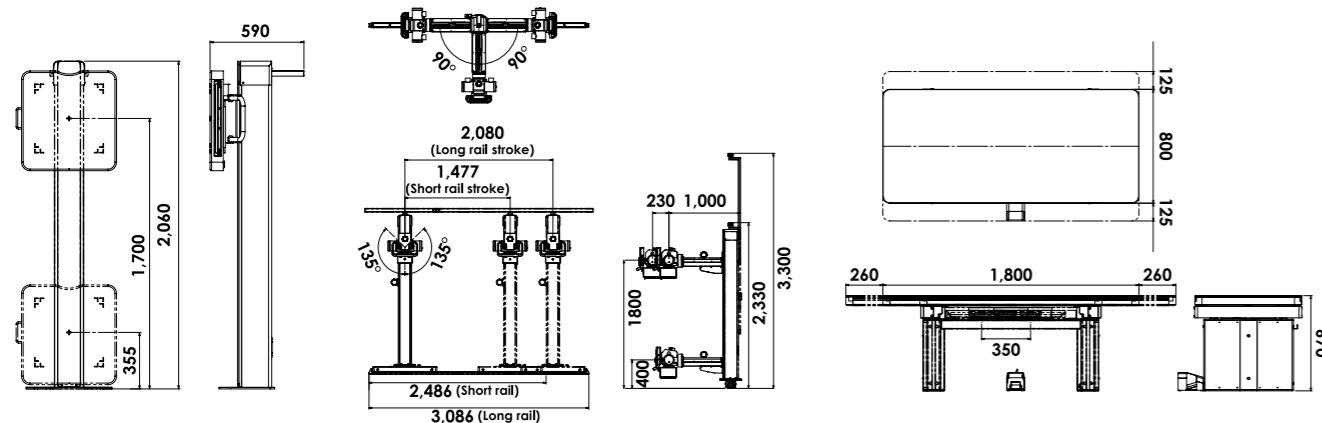
Dimension

Jumong General Floor Mounted



[size : mm]

Jumong General Ceiling Mounted



[size : mm]



Service

Customer Oriented

Your values are of utmost importance to us. As a leading medical diagnostic device manufacturer, we take full responsibility in satisfying your needs by providing high quality products to the global market. Also, by collaborating user friendly interface and design, we actualize your desires and needs. We promise to stand by your side and always strive to add gratification to your work place.

Approved Quality

We put a great deal of emphasis on the well-being of mankind. SG Healthcare upholds this value by manufacturing reliable and reasonable medical diagnostic devices. And also by distributing our quality products all over the world through SG HealthCare's fortified global network, we wish to present a better life for every little breath.

24/7 Fast Response

We embrace all challenges and correspond with pride and promptness to all claims. Our fast reponse offers customers with satisfaction and improves reliability of SG Healthcare. We strive to provide the most comprehensive service for every claim, regardless of location and time. This is how we have maintained friendship over 60 countries worldwide.