

JUMONG VET



Smart digital X-ray system for every little breath

Stationary system with 17X17 cassette size detector allows a full range of chest and other vertical examinations
It is an ideal solution for everyday image examination of small and big animals



CONVENTIONAL
RADIOGRAPHY



TUBE
STAND



DR
UPGRADABLE



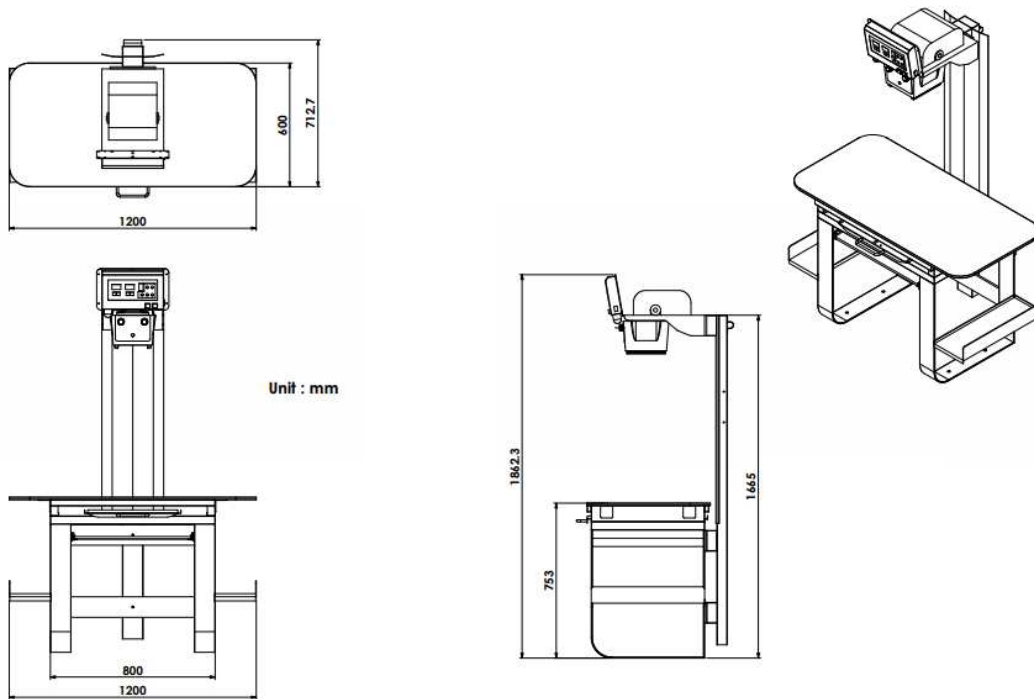
VETERINARY

SYSTEM CONFIGURATION & SPECIFICATION

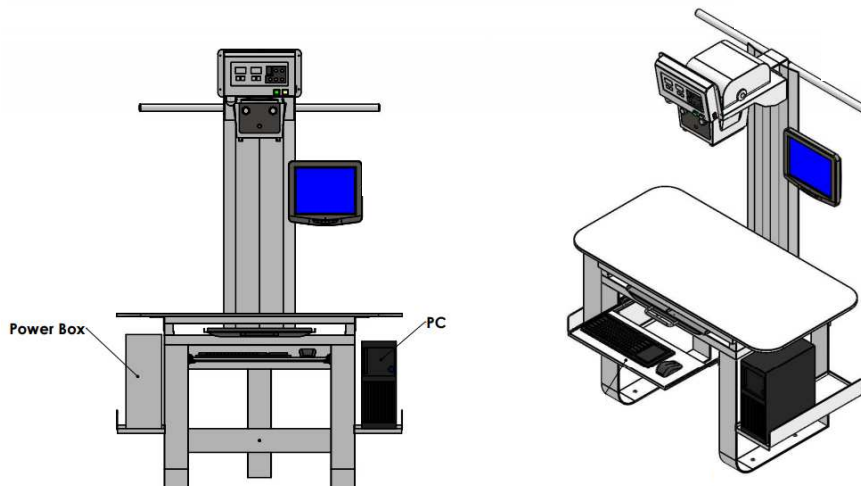
* All specifications are subject to change

Generator	Type	Inverter type HF 80 kHz		Inverter type HF 40 kHz	
	kV Range	30 ~ 100 kV	30 ~ 110 kV	30 ~ 120 kV	30 ~ 120 kV
mA Range	0 ~ 100 mA	0 ~ 200 mA	0 ~ 200 mA	20 ~ 300 mA	20 ~ 300 mA
mAs Range	0.6 ~ 60 mAs	0.6 ~ 60 mAs	0.6 ~ 80 mAs	0.2 ~ 500 mAs	0.2 ~ 500 mAs
mA/kV (Short time rating)	100 mA/50kV, 80 mA/70kV, 50 mA/100kV	200 mA/40kV, 100 mA/90kV, 80 mA/110kV	200 mA/40kV, 100 mA/90kV, 80 mA/110kV	300 mA/100kV	300 mA/100kV
Max. Power	5.6 kW	9 kW	9 kW	30 kW	30 kW
Tube	Type	Fixed anode	Fixed anode	Fixed anode	Rotating anode
	Focal Spot	2.2 mm	1.5 mm / 3.0 mm	1.5 mm / 3.0 mm	1.0 mm / 2.0 mm
	Target Angle	19 °	19 °	19 °	16 °
	Max. kVp	110 kV	125 kV	125 kV	125 kV
	Max. Input power	4 kW(1s)	8.5 kW(1s)	8.5 kW(1s)	21 Kw / 42.5 Kw
	Filters		0.9mmAl	0.9mmAl	0.9mmAl
Collimator	Anode heat capacity	55 kHU		140 kHU	
	Max. Radiation field	SID 100cm : < 47x47cm			
	Min. Radiation field	SID 100cm : < 5x5cm			
	Intensity of illumination	LED over 100 Lux			
	Operation type	Manual			
Control Console	Filters	1.2 mmAl			
	kV Step	30 ~ 100 Kv(1kV Step)	30 ~ 110 Kv(1kV Step)	30 ~ 120 Kv(1kV Step)	30 ~ 120 Kv(1kV Step)
	mAs Step	0.6 ~ 60 mAs	0.3 ~ 60 mAs	0.3 ~ 60 mAs	0.2 ~ 300 mAs
Dimension	W x L x H	1200mm x 712.7mm x 1665mm			
	Table Top (W X L)	1200mm x 600mm			

TECHNICAL DRAWING



Option



HQ: 113 Jungdae-ro, Songpa-Gu, Seoul 05718, KOREA | Factory: 10, Yangnyeong-ro, Moga-myeon, Icheon-Si, Gyeonggi-Do, KOREA

US Office: 4801 Wilshire Blvd, Ste. 104 Los Angeles, CA 90010, USA | P +82 (0)2 449 6908 / +82 (0)2 449 6909 | E sales@sghealthcare.com | H www.sghealthcare.com